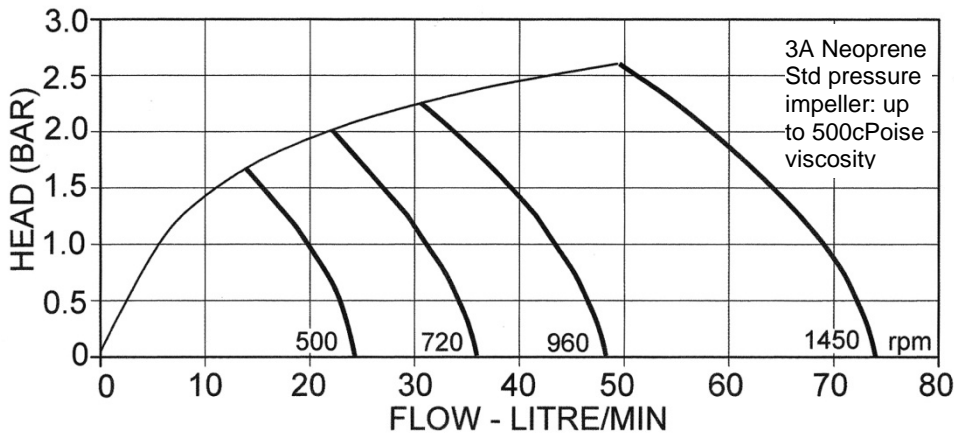
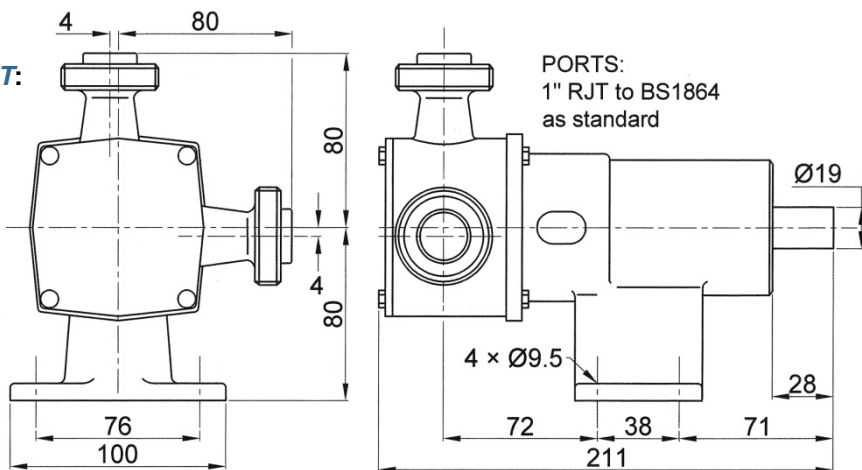


PUMP PERFORMANCE:



DIMENSIONS: in mm

WEIGHT:
4.4 kg



PORT TYPE: 1" RJT to BS1864 standard

Other hygienic ports available:- Tri-clamp, IDF/ISS, 3A Bevel seat, DIN 11851, and SMS 1145

IMPELLER TEMPERATURE RANGE:

MATERIAL	PRESSURE	TEMP °C
3A Neoprene	STANDARD	4 - 65
EPDM	STANDARD	4 - 90
3A Neoprene	HIGH	4 - 65
EPDM	HIGH	4 - 90

OTHER SPECIFICATIONS:

SEAL OPTIONS	Carbon / Ceramic mechanical face seal (standard). Tungsten carbide / ceramic hard faced seal Flushed options for crystallising fluids
SEAL ELASTOMER	Food grade nitrile
PUMP HEAD	Stainless steel 316, machined interior and electro polished exterior finish
END COVER	Stainless steel 316 grade
SHAFT	Stainless steel 316 grade
BEARINGS	Greased ball bearings
BEARING HOUSING	Epoxy coated cast iron

DOC639/12



a xylem brand

28300 SERIES
HYGIENIC STAINLESS
STEEL PEDESTAL PUMP

80 size



- * Self primes from dry up to 3.5 metres
- * Flows up to 74 litres per minute
- * Pressure up to 4.0 bar
- * Handles soft solids - max. 12mm diameter
- * Certified to US 3A Standard 02-09
- * Clean-In-Place (CIP) or easy strip clean
- * Handles viscosities up to 50,000 centiPoise
- * Minimal shear to thixotropic fluids

Xylem Water Solutions UK Ltd
Bingley Road
Hoddesdon
Hertfordshire • EN11 0BU • UK

Telephone: +44 (0)1462 480380
Fax: +44 (0)1462 482422
mail@clegghorn.co.uk
www.jabscoshop.com

xylem
Let's Solve Water